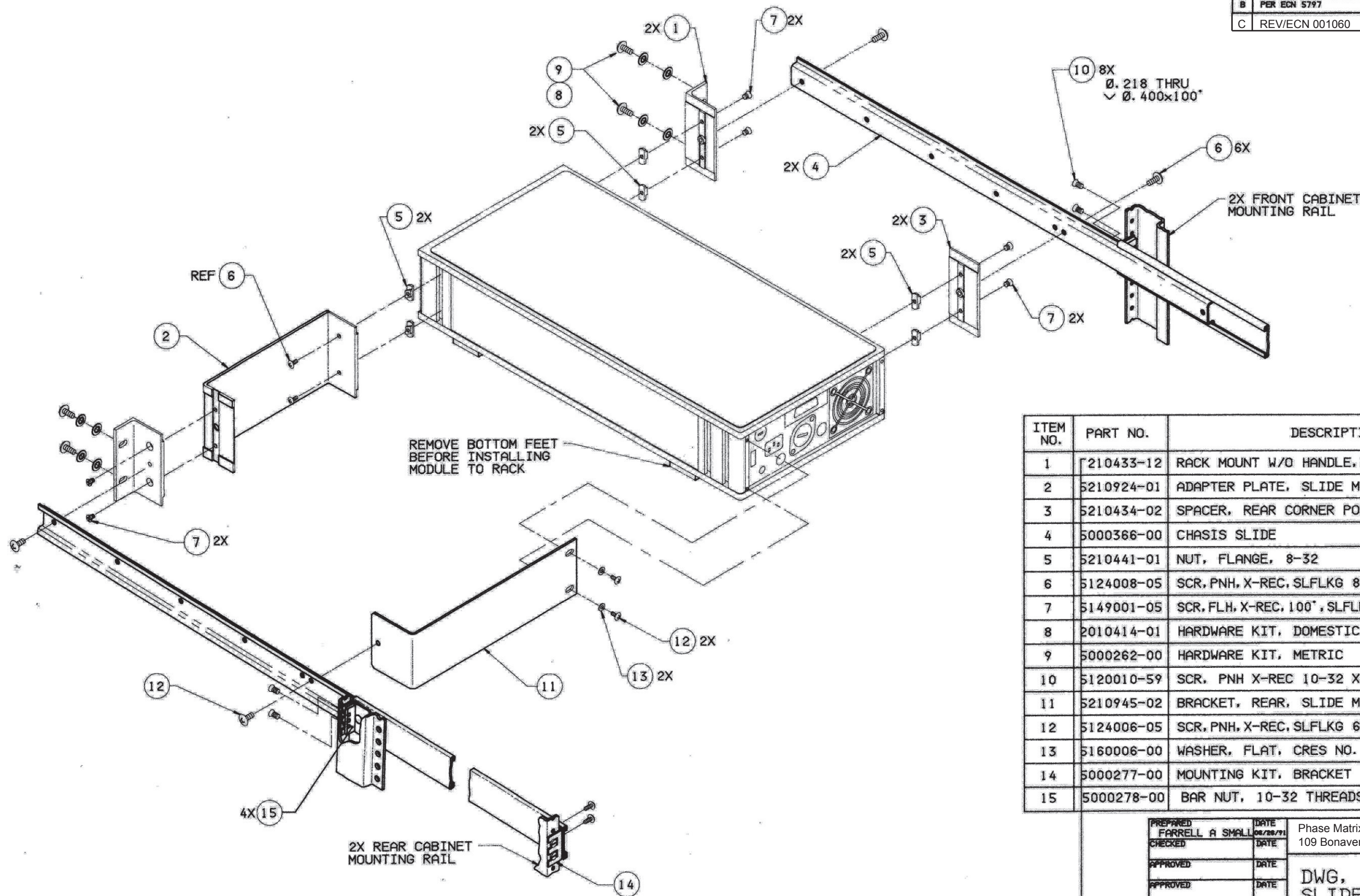


REVISIONS			
REV	DESCRIPTION	DATE	APPROVED
A	PER ECN 5646	1/11/91	SOS
B	PER ECN 5797	7/22/91	Bm
C	REV/ECN 001060	9/24/09	RF



ITEM NO.	PART NO.	DESCRIPTION	QTY
1	210433-12	RACK MOUNT W/O HANDLE, D GRAY 3.50 IN.	2
2	5210924-01	ADAPTER PLATE, SLIDE MTG	1
3	5210434-02	SPACER, REAR CORNER POST, 2U 3.50	1
4	5000366-00	CHASSIS SLIDE	2
5	5210441-01	NUT, FLANGE, 8-32	6
6	5124008-05	SCR, PNH, X-REC, SLFLKG 8-32 UNCx5/16	6
7	5149001-05	SCR, FLH, X-REC, 100', SLFLKG 8-32 UNCx5/16	6
8	2010414-01	HARDWARE KIT, DOMESTIC	1
9	5000262-00	HARDWARE KIT, METRIC	1
10	5120010-59	SCR, PNH X-REC 10-32 X 9/16 UNF	8
11	5210945-02	BRACKET, REAR, SLIDE MTG	1
12	5124006-05	SCR, PNH, X-REC, SLFLKG 6-32 UNCx5/16	2
13	5160006-00	WASHER, FLAT, CRES NO. 6	2
14	5000277-00	MOUNTING KIT, BRACKET (SLIDES) W/HDW.	1
15	5000278-00	BAR NUT, 10-32 THREADS.	4

1. THE HARDWARE ITEMS SHOWN ARE FOR MOUNTING ONE EIP HALF-RACK INSTRUMENT TO RACK.

NOTES: (UNLESS OTHERWISE SPECIFIED)

PREPARED FARRELL A SMALL	DATE 06/26/91	Phase Matrix, Inc. 109 Bonaventura Drive, San Jose CA
CHECKED	DATE	
APPROVED	DATE	DWG. IPB, CHASSIS SLIDE KIT, 1 MODULE
APPROVED	DATE	
DO NOT SCALE DRAWING		SIZE CODE IDENT DRAWING NO. REV D 34257 5520015-00 C
SCALE: 1/4		HCADAM DISK SHEET 1 OF 1